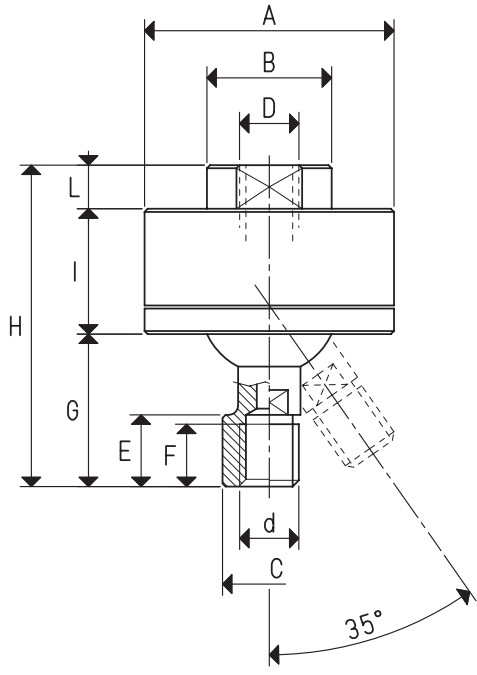




POSITIONABLE BALL JOINT COUPLINGS WITH AXIAL VACUUM CONNECTION

The positionable ball joints couplings in anodised aluminium allow the installed vacuum cups to be rotated 360° and to be tilted by up to 35° in order to properly position them with respect to the gripping surface on the object to be handled, while at the same time ensuring a perfect grip and proper suction through the joint itself.



POSITIONABLE BALL JOINT COUPLINGS WITH AXIAL VACUUM CONNECTION

Item	A ∅	B ∅	C ∅	D ∅	d ∅	E	F	G	H	I	L	Material	Max load admissible Kg	Weight g
GSV 1/8"	40	20	--	G1/8"	G1/8"	11.5	10	24.5	51.5	20	7	aluminium	18.24	77.6
GSV 1/4"	45	25	--	G1/4"	G1/4"	14.5	12	28.5	60.5	25	7	aluminium	23.54	126.7
GSV 3/8"	50	30	--	G3/8"	G3/8"	14.0	12	34.5	69.5	25	10	aluminium	33.91	171.2
GSVF 1/8"	40	20	15	G1/8"	G1/8"	11.5	10	24.5	51.5	20	7	aluminium	18.24	80.4
GSVF 1/4"	45	25	20	G1/4"	G1/4"	14.5	12	28.5	60.5	25	7	aluminium	23.54	129.2
GSVF 3/8"	50	30	21	G3/8"	G3/8"	17.0	12	34.5	69.5	25	10	aluminium	33.91	167.6

Transformation ratio: N (newton) = Kg x 9.81 (force of gravity)

$$\text{inch} = \frac{\text{mm}}{25.4}; \text{pounds} = \frac{\text{g}}{453.6} = \frac{\text{Kg}}{0.4536}$$

Adapters for GAS - NPT threading available on page 1.130